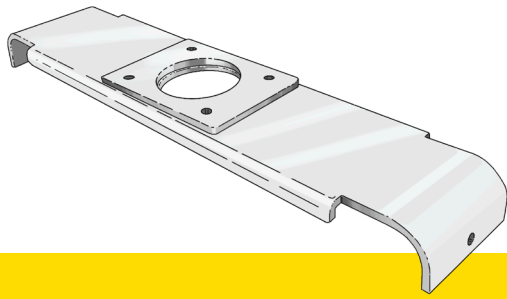
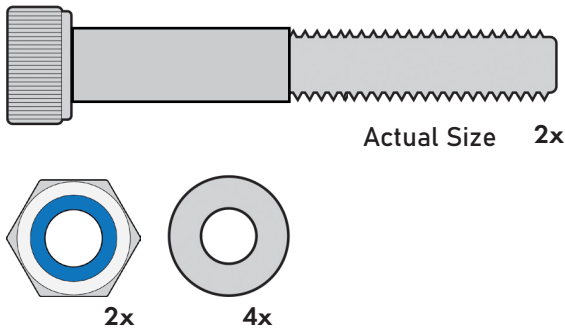


Outrigger Mounting Bracket



INSTALLATION MANUAL

Included Hardware Identification



Permanently mount your outrigger holders to your Fishmaster t-top with these mounting brackets. The Fishmaster Outrigger Mounting Bracket measures 21" in length and easily attaches to the top section of your t-top. Don't worry. We pre-drilled the holes for your so you can start attaching your outriggers ASAP.

Gather Additional Tools and Materials

Permanent Marker



Utility Knife



Allen Wrench Set



Hand Drill



Loctite[®] 242 Blue



8mm Drill Bit



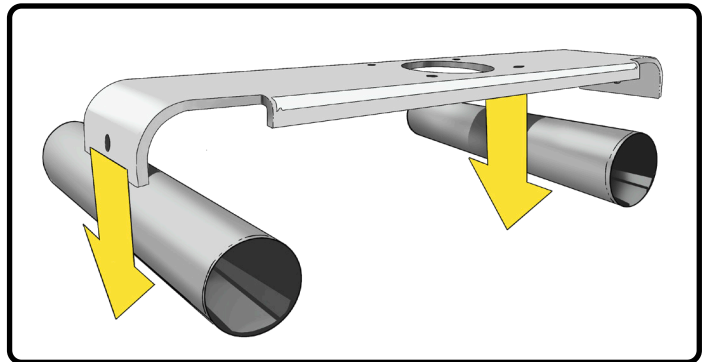
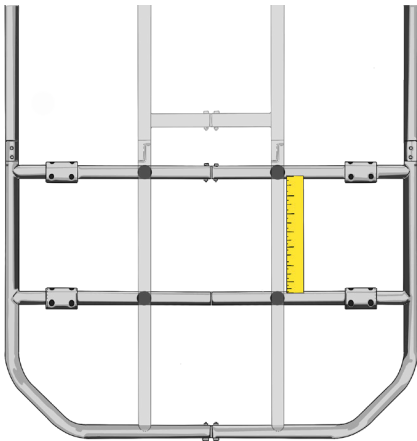
* Loctite[®] Blue 242 can be applied to any bolt during assembly to ensure a locking fit.



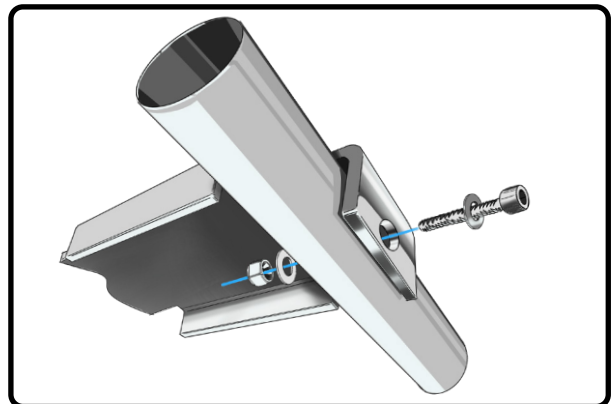
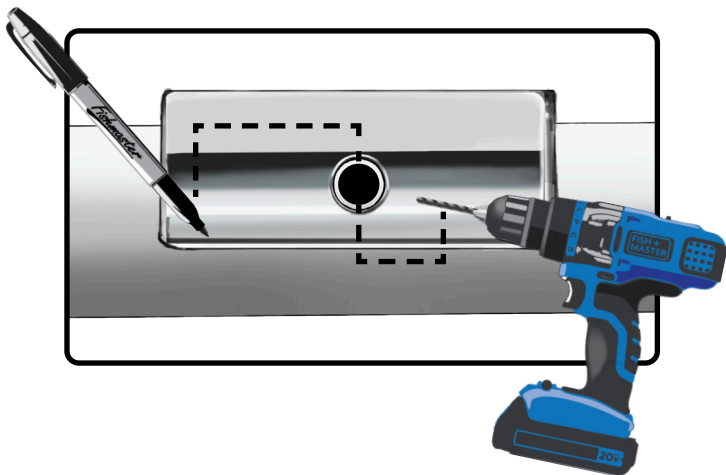
Do you have questions? Call us @ 877.777.8693 Monday - Friday, 8am-5pm EST

Step 1: Attach the Outrigger Mounting Brackets

1. Measure the area you want to mount the outrigger brackets on and confirm there is enough uninhabited space.
2. Place bracket on top of the rails in the desired position.



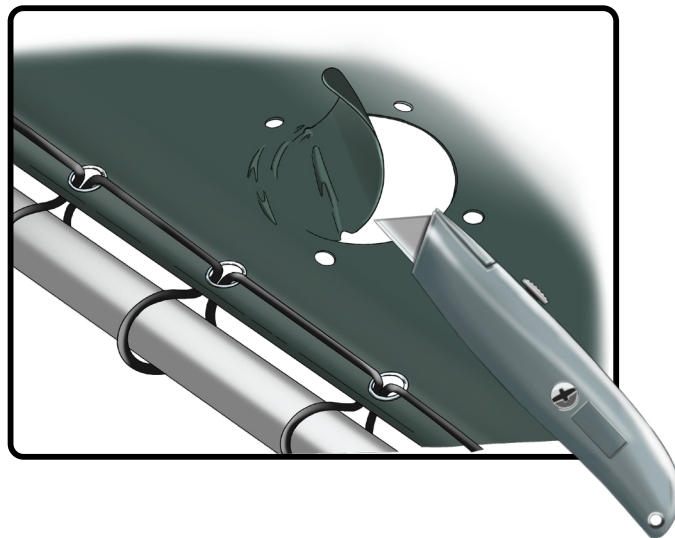
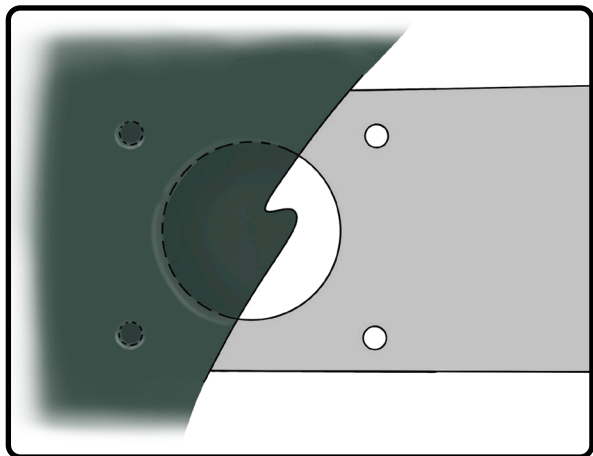
3. Mark holes for reference and drill the holes.
4. From the underside of the bracket, install the fastening hardware.



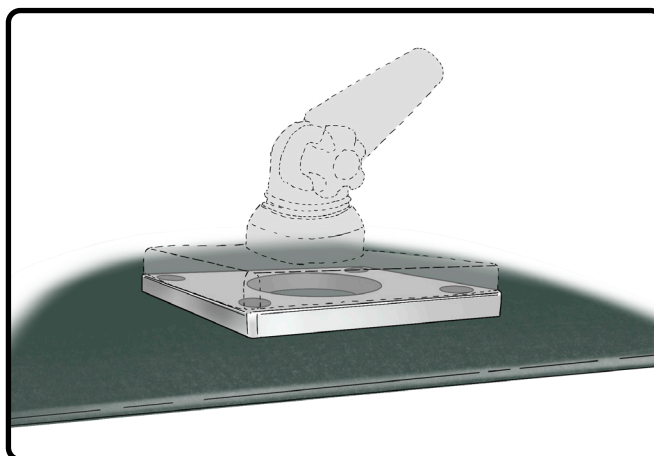
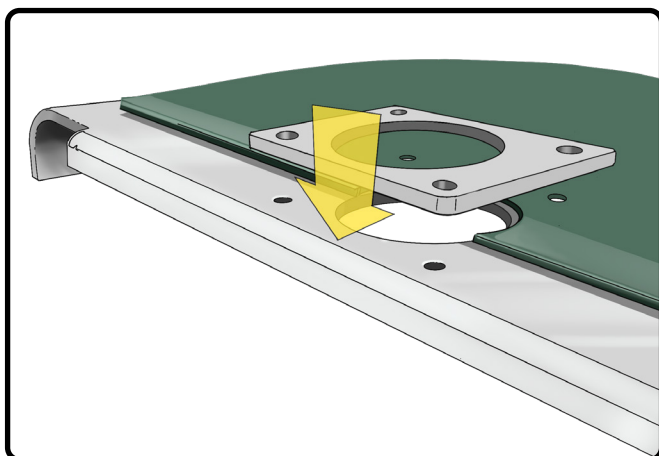
Do you have questions? Call us @ 877.777.8693 Monday – Friday, 8am-5pm EST

Step 2: Attach the Outrigger Mounting Brackets

1. From the top of the t-top canopy, feel for the circle indent made from the bracket and then mark around the edge of the center opening and the screw holes.
2. Use a utility knife to cut out the inner circle that was traced on the canvas top.



3. Place the bracket plate on top of the canopy, lining the holes up.
4. Attach desired outrigger holder onto the bracket plate and ensure it is fastened down.



Do you have questions? Call us @ 877.777.8693 Monday - Friday, 8am-5pm EST