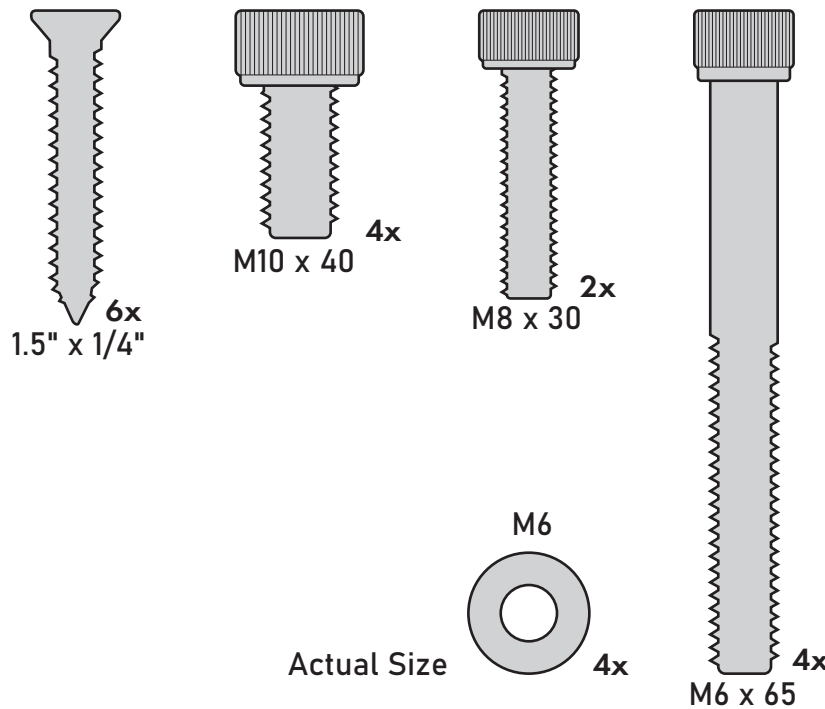


ORIGINAL LEANING POST

INSTALLATION MANUAL

Original Leaning Post Included Hardware Identification



Verify all parts are included before you begin.

- (1) Leg Base (R)
- (1) Leg Base (L)
- (1) Seat Platform
- (1) Foot Rest
- (1) Seat Cushion
- (6) 1.5" x 1/4" Deck Screws
- (4) M10 x 40 Bolts
- (2) M8 x 30 Bolts
- (4) M6 x 25 Shoulder Bolts
- (4) M6 Washers

Gather additional necessary tools and materials:

- Blue painter's tape
- Black permanent marker
- Tape measure
- Cordless drill with 1/8" bit
- 45° chamfer bit
- Metric allen wrench set
- Phillips head screwdriver
- Rubber mallet
- Tube of 3M™5200 Marine Adhesive



CAUTION: If you are unfamiliar with your boat's construction, please seek professional advice before installing the leaning post.

For added assistance when installing the leaning post, please consider watching the installation video at: fishmaster.com
Or call us at 877-777-8693

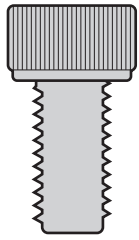
As you plan to install the Fishmaster Original Leaning Post, keep in mind that drilling into the deck of the boat is needed in order to safely secure the leaning post to the boat.



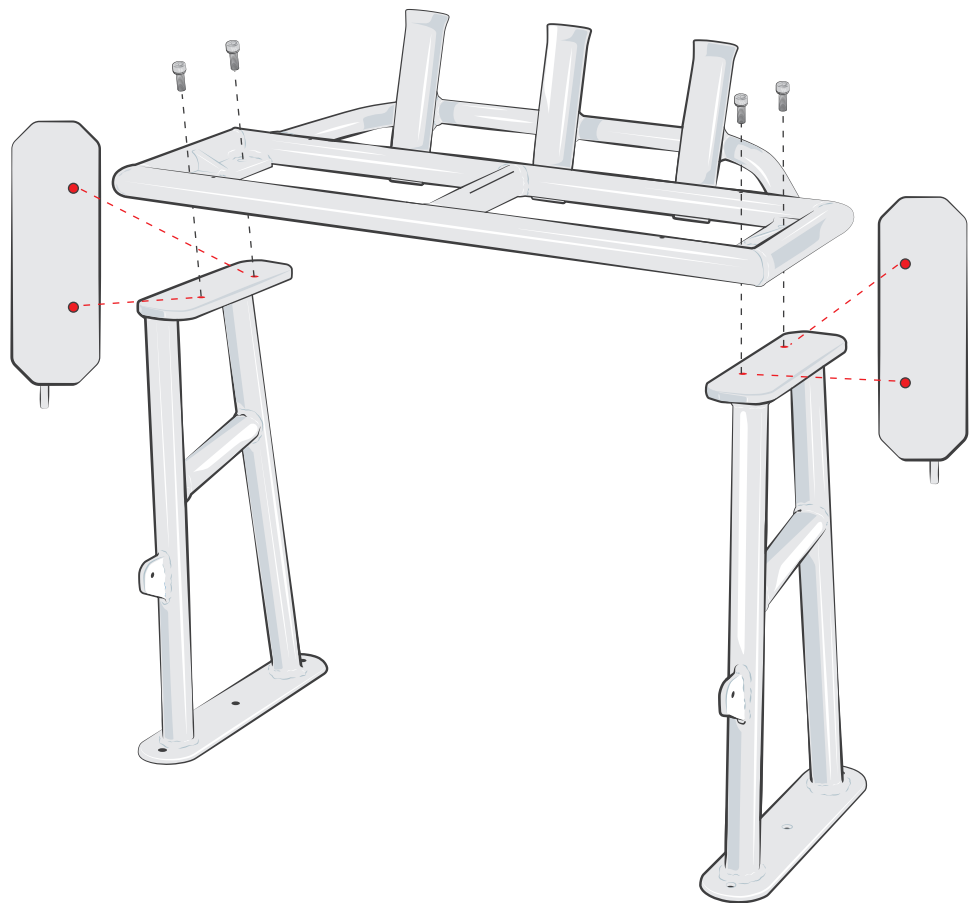
Do you have questions? Call us @ 877.777.8693 Monday – Friday, 8am-5pm EST

1

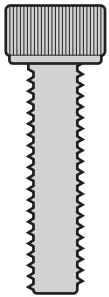
STEP 1: Install the Original Leaning Post seat platform to leg bases



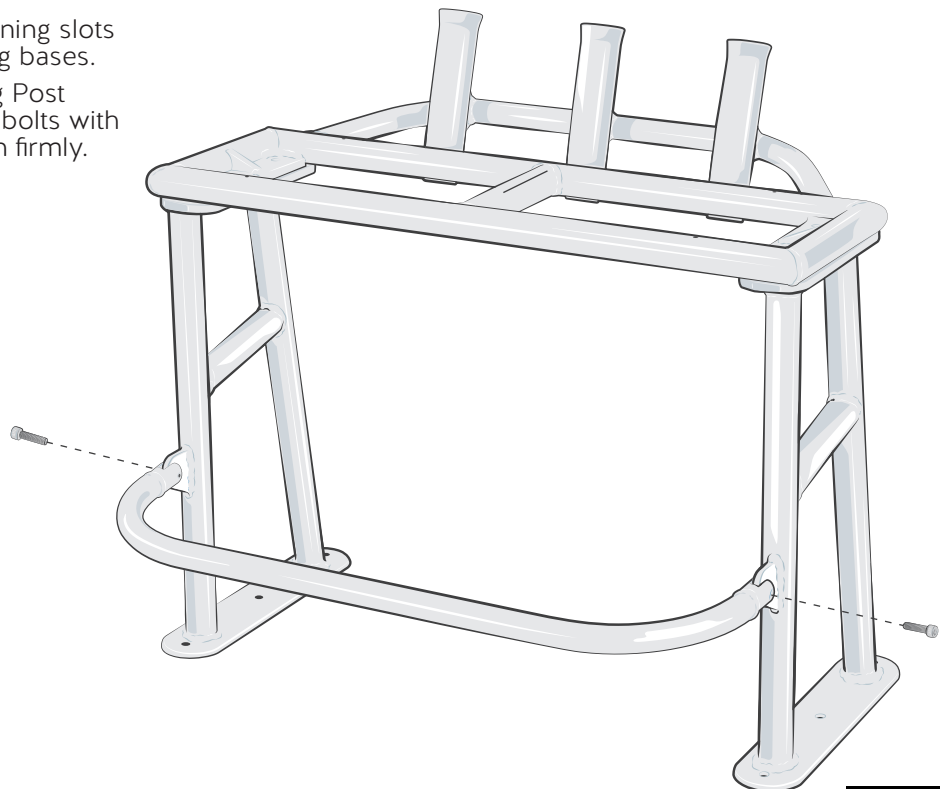
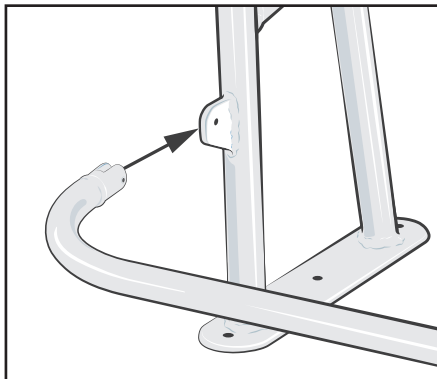
1. Position leg bases with foot rest attachment pointed in same direction and holes on the top facing each other. (Holes are shown in inset drawings highlighted with red circles.)
2. Place seat platform on top of leg bases while aligning holes on the top of the leg bases.
3. Secure platform to leg bases with 4 M10 x 40 with 6mm allen wrench. Tighten firmly.



STEP 2: Install the Original Leaning Post foot rest to leaning post assembly



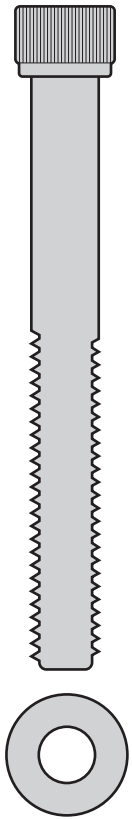
1. Insert foot rest with by aligning slots of foot rest with tabs on leg bases.
2. Secure foot rest to Leaning Post assembly using 2 M8 x 30 bolts with 6mm allen wrench. Tighten firmly.



Do you have questions? Call us @ 877.777.8693 Monday – Friday, 8am-5pm EST

2

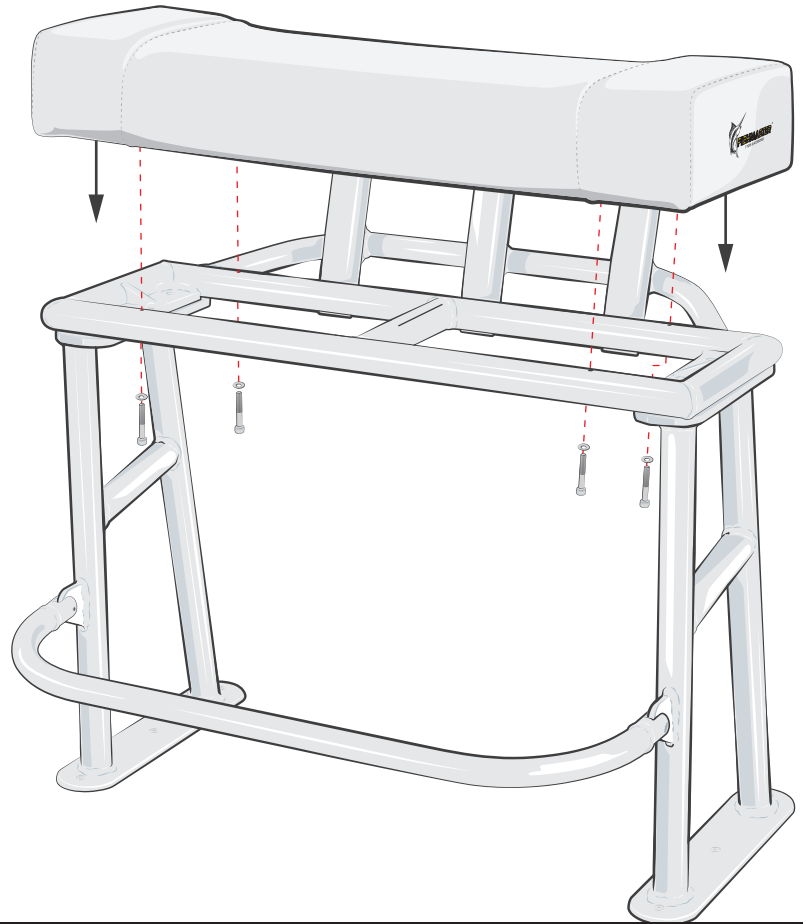
STEP 3: Install the Original Leaning Post seat cushion to leaning post assembly



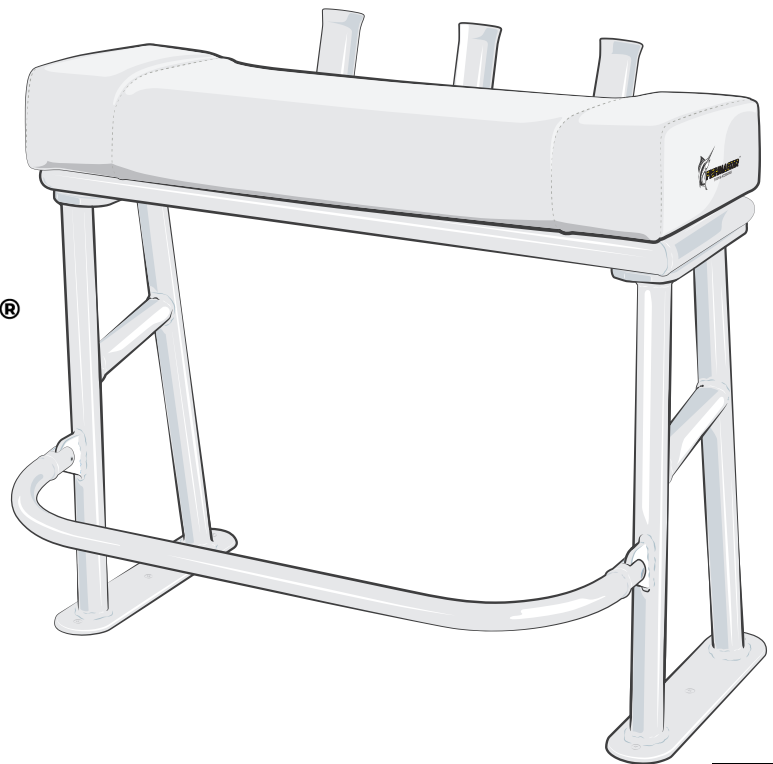
1. Position seat cushion on leaning post assembly by aligning holes on seat cushion bottom and holes in seat platform.

HELPFUL TIP! Put a bolt through seat platform from bottom on one corner and align with hole. Use this method for second bolt on opposite corner and the other two holes should align.

2. Insert M6 x 65 bolt through M6 washer and into each location with only a few turns of bolt to get each bolt started.
3. After all four bolts are in position, tighten each bolt firmly with 6mm allen wrench.



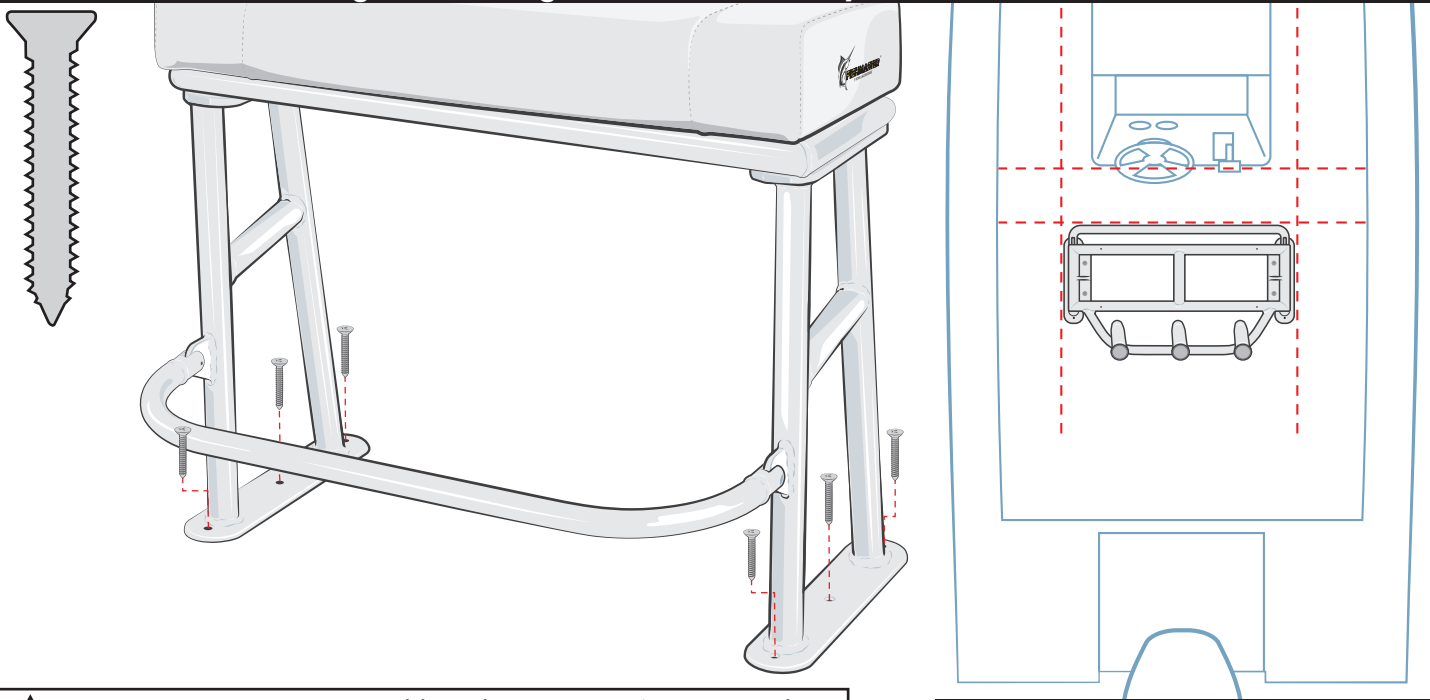
SEE NEXT PAGE FOR INSTALLATION ONTO BOAT.



Do you have questions? Call us @ 877.777.8693 Monday – Friday, 8am-5pm EST

3

STEP 4: Install the Original Leaning Post seat assembly to boat



CAUTION: If you are unfamiliar with your boat's construction, please seek professional advice before drilling holes.

1. Locate the fuel tank, steering cables, and other critical boat components to ensure their safety when drilling.
2. Measure from the rear of your center console to the aft of your boat and place a tape line as a guide for where the front of the base plates will be mounted. Leaning posts are commonly installed at 15" to 20" back from the console, but this can be adjusted for your own comfort and specific boat requirements.
3. Position your leaning post on the deck and measure from the outside of each screw hole in the base plate to the side walls of your boat. This will help ensure the leaning post is centered on the deck of the boat and facing straight towards the bow.
4. Once in position, use a permanent marker to mark the screw hole positions on both leaning post base plates.
5. At each marked location, drill in reverse approximately 3/8" deep through the gel coat. Switch the drill to its standard rotation and finish drilling the hole through the deck.

CAUTION: Starting each hole with your drill in reverse is necessary to prevent spider cracking of the gel coat finish.

6. Once all holes are drilled, use a 45° chamfer bit with the drill in reverse to countersink the screw holes.
7. Drill one of the provided deck screws into each hole and remove it to thread the holes.
8. Use 3M[™]5200 Marine Adhesive in each of the screw holes as well as on the bottom of the base plate for added strength and durability.
9. Carefully set the leaning post on the prepared mounting surface - matching up the newly drilled holes in the deck of the boat with those in the leaning post base plates.
10. Install the six deck screws to complete your installation.

CAUTION: Before using your leaning post, allow time for the adhesive to cure to the 3M[™] recommendations.

Pro Tip: We recommend positioning the leaning post so that there is adequate standing room with the footrest in the down position. This will ensure comfort for both the captain and any accompanying passengers who wish to sit atop the leaning post.



Do you have questions? Call us @ 877.777.8693 Monday - Friday, 8am-5pm EST

4