



## **Casting Platform Leaning Rail Instructions and Owners Manual**

**Fishmaster, Inc.**  
**www.Fishmaster.com**  
**Support@Fishmaster.com**

**Phone: 877-777-8693**  
**Fax: 877-437-6210**

**THANK YOU FOR YOUR BUSINESS. IF YOU ARE NOT COMPLETELY SATISFIED IN ANY WAY WITH YOUR CASTING PLATFORM LEANING RAIL, PLEASE CONTACT US. Our entire purpose as a company is to offer great products at affordable prices that our customers love.**

**Please take a few minutes to read the installation instructions and become familiar with the Casting Platform Leaning Rail installation before beginning to ensure a high quality, trouble free installation and use. If you have any questions during your installation give us a call at 877-777-8693 or e-mail Support@Fishmaster.com**

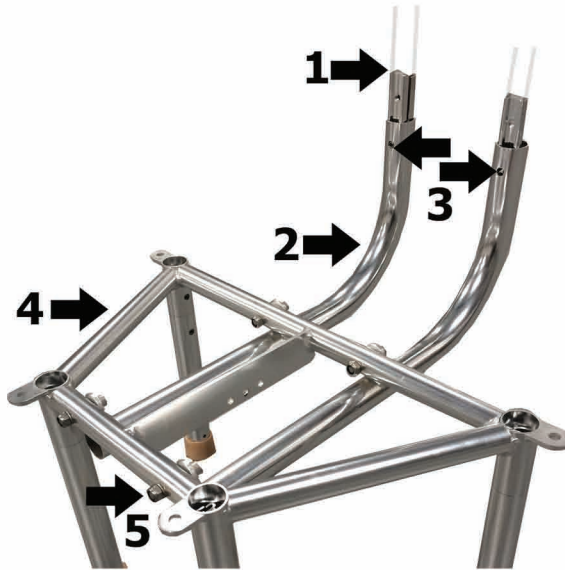
### **IMPORTANT NOTES ON INSTALLING AND USING YOUR CASTING PLATFORM LEANING RAIL**

- Read entire manual before installation**
- Grease all bolts**
- Check bolts after first few uses and retighten when needed**

#### **Fishmaster, Inc Warranty**

**Fishmaster warrants this product against manufactures defects for a period of five (5) years. Anodized surfaces are specifically excluded, as their care and use cannot be controlled by the manufacturer. Any modifications or improper use, not approved in writing by Fishmaster shall void this warranty. Fishmaster is not responsible for personal injury or damage to the boat caused by the use of this product. Fishmaster's obligation under this warranty shall not include any transportation charges or costs of installation or any liability for direct, indirect or consequential damages resulting from delay or improper installation. If you need to make a warranty claim contact Fishmaster at 877-777-Tower to receive a return authorization number which is required for all claims. Defects must be reported within 30 days of discovery.**

# Fishmaster Casting Platform Leaning Rail Parts List



**NOTE:** It is shown without the fiberglass platform for illustration but the platform does not need to be removed to install the leaning rail.

Item	Description
1	Upper Assembly (shown in transparent)
2	Mounting Bracket (Qty 2)
3	Tube Connector with Two Set Screws (Qty 2)
4	Casting Platform Frame
5	M10 Socket Head Cap Screws with Washers and Nylock Nuts

## INSTALLATION

1. Join two sides of the tubing connector, one with threaded holes and one blank. Slide this into one tube of the upper assembly and loosely insert one set screw. Next insert the tube connector into the mounting bracket and loosely insert one set screw. Repeat for the other side and lightly snug the set screws.
2. Using the M10 Cap Screws attached each of the four tabs on the mounting bracket to the casting platform frame. Once everything is aligned tighten first the set screws on the mounting bracket and then tighten the M10 Nylock nuts to secure the leaning rail to the frame.

## OPERATION

If you need to remove the leaning rail first loosen the two lower set screws in the mounting bracket then remove the two set screws in the upper assembly and remove the upper assembly. Replace the set screws into the tube connector and snug them down to hold. You can also remove the set screws and tube connector from the mounting brackets.