



Swivel Rod Holder Instructions and Owners Manual

Fishmaster, Inc.
www.Fishmaster.com
Support@Fishmaster.com

Phone: 877-777-Tower
Fax: 877-777-8693

THANK YOU FOR YOUR BUSINESS. IF YOU ARE NOT COMPLETELY SATISFIED IN ANY WAY WITH YOUR NEW ROD HOLDERS, PLEASE CONTACT US. Our entire purpose as a company is to offer great products at affordable prices that our customers love.

Please take a few minutes to read the installation instructions and become familiar with the rod holder and installation before beginning to ensure a high quality, trouble free installation and use. If you have any questions during your installation give us a call at 877-777-Tower or e-mail Support@Fishmaster.com

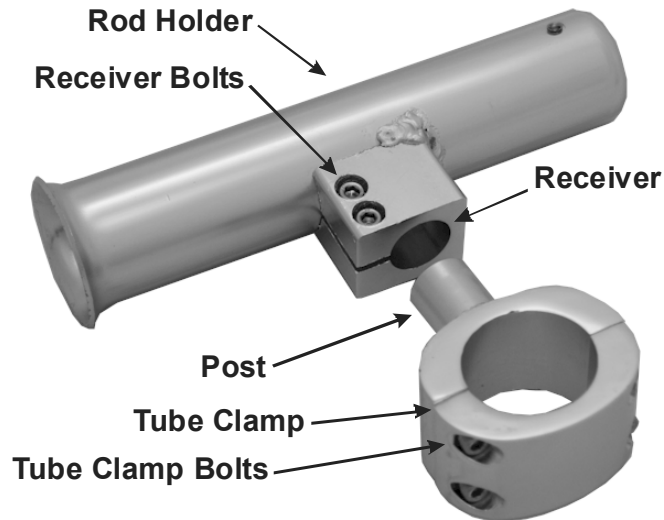
IMPORTANT NOTES ON INSTALLING AND USING YOUR NEW ROD HOLDERS

- Read entire manual before installation
- Do not trailer your boat with fishing rods in the rod holders
- Grease all bolts
- Check bolts after first few uses and retighten to 22 ft-lbs when needed

Fishmaster, Inc Warranty

Fishmaster warrants this product against manufactures defects for a period of five (5) years. Anodized surfaces are specifically excluded, as their care and use cannot be controlled by the manufacturer. Any modifications or improper use, not approved in writing by Fishmaster shall void this warranty. Fishmaster is not responsible for personal injury or damage to the boat caused by the use of this product. Fishmaster's obligation under this warranty shall not include any transportation charges or costs of installation or any liability for direct, indirect or consequential damages resulting from delay or improper installation. If you need to make a warranty claim contact Fishmaster at 877-777-Tower to receive a return authorization number which is required for all claims. Defects must be reported within 30 days of discovery.

Fishmaster Swivel Mount Rod Holder Parts List



Item	Description
Rod Holder	Rod Holder Tube for Holding Fishing Rods
Receiver	Swivel Mount Receiver attaches Rod Holder to Tube Clamp Post
Receiver Bolts	Swivel Mount Receiver Bolts to Tighten Receiver onto Post
Mounting Post	Mounting Post allows Rod Holder to be Swiveled
Tube Clamp	Tube Clamp attached to Rear of T-Top Canopy Frame
Tube Clamp Bolts	Tube Clamp Bolts hold Tube Clamp to T-Top Canopy Frame

INSTALLATION

1. Determine where you will install the rod holders. It is customary to equally space the rod holders across the back of the T-Top frame as shown below. You may place also them at any location you like and some fishermen like to have a rod holder on each side of the T-Top.



2. Install the Rod Holder to the Clamp by inserting the Post into the Receiver and tightening Receiver Bolts. Apply a thin film of grease to threads before tightening.
3. Remove the Tube Clamp bolts and apply thin film of grease to the threads. Install the Tube Clamp to the desired location on the T-Top Canopy Frame and tighten Tube Clamp Bolts to 22 ft-lbs.
4. If needed loosen the Receiver Bolts and swivel the Rod Holder to the desired position. Then retighten Receiver Bolts to 22 ft-lbs.