



Vertical Standoff Braces Instructions and Owners Manual

Fishmaster, Inc.
www.Fishmaster.com
Support@Fishmaster.com

Phone: 877-777-8693
Fax: 877-437-6210

THANK YOU FOR YOUR BUSINESS. IF YOU ARE NOT COMPLETELY SATISFIED IN ANY WAY WITH YOUR VERTICAL STANDOFF BRACES, PLEASE CONTACT US. Our entire purpose as a company is to offer great products at affordable prices that our customers love.

Please take a few minutes to read the installation instructions and become familiar with the VERTICAL STANDOFF BRACES and installation before beginning to ensure a high quality, trouble free installation and use. If you have any questions during your installation give us a call at 877-777-8693 or e-mail Support@Fishmaster.com

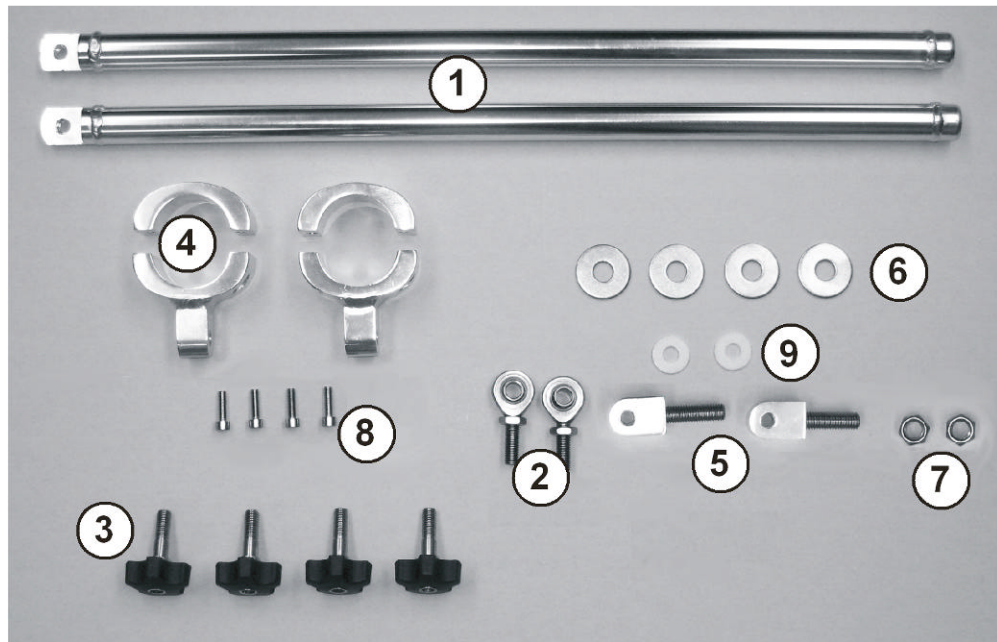
IMPORTANT NOTES ON INSTALLING AND USING YOUR NEW VERTICAL STANDOFF BRACES

- Read entire manual before installation
- Grease all bolts with a thin film before installation
- Check bolts after first few uses and retighten when needed

Fishmaster, Inc Warranty

Fishmaster warrants this product against manufactures defects for a period of five (5) years. Anodized surfaces are specifically excluded, as their care and use cannot be controlled by the manufacturer. Any modifications or improper use, not approved in writing by Fishmaster shall void this warranty. Fishmaster is not responsible for personal injury or damage to the boat caused by the use of this product. Fishmaster's obligation under this warranty shall not include any transportation charges or costs of installation or any liability for direct, indirect or consequential damages resulting from delay or improper installation. If you need to make a warranty claim contact Fishmaster at 877-777-Tower to receive a return authorization number which is required for all claims. Defects must be reported within 30 days of discovery.

Fishmaster Vertical Standoff Braces Parts List

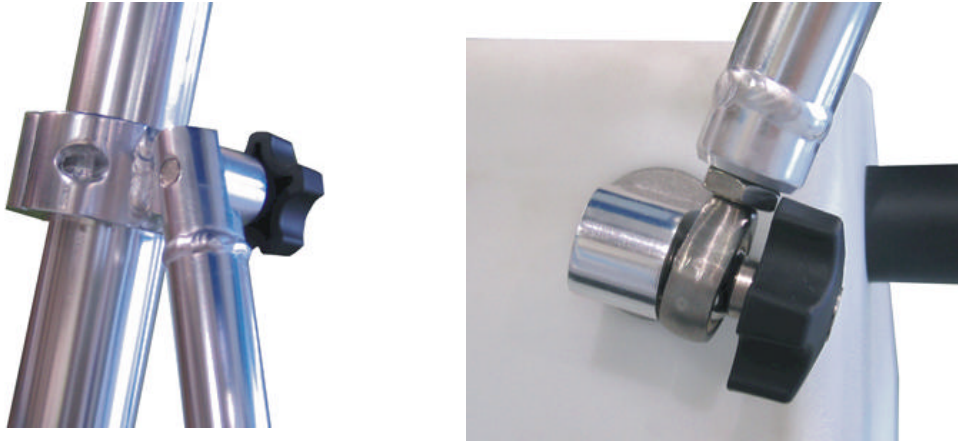


Item	Description
1	Standoff Brace
2	Heim Joint with Jam Nut
3	Quick Release Knobs
4	T-Top Bracket
5	Console Bracket
6	Washers for Console Bracket
7	Lock Nuts for Console Bracket
8	Screws for Console Bracket
9	Teflon Washers for Console Bracket



INSTALLATION

Please see the detailed images of the T-Top and Console brackets below.



1. The first thing that needs to be done is to assemble the brace to the mating parts on each end. We will then use this to determine the location of the console bracket.
2. Start by assembling the standoff brace with one side of the T-Top bracket using a Teflon washer between the brace and the bracket as shown on the left. Next make sure the jam nut is screwed all the way down on the Heim joint and install the Heim joint into the opposite end of the brace. Now attach the Heim joint to the console brace.
3. You can now move the T-Top brace up and down and rotate it while determining where on the console you will mount the console bracket. **MAKE SURE YOU LOOK UNDERNEATH THE CONSOLE TO MAKE SURE THE LOCATION IS CLEAR OF WIRES, CONTROLS, ETC.** The console bracket can mount to the top, side or front of your console.
4. Mark the locations for the console mounts and drill the hole for the bolt with a M11 or 7/16" drill bit. You should run the bit in reverse and chamfer the edges with a larger bit. If you are not familiar with this see our T-Top Installation Manual at www.Fishmaster.com/support.htm
5. Use a console bracket washer on each side of the fiberglass to distribute the loading and fasten with the lock nuts.
6. This will now determine the location on the T-Top where the T-Top bracket will be installed. Attach the bracket to the T-Top using the console bracket screws.

OPERATION

In most cases it will be easier to detach the brace from the T-Top bracket and rotate the braces out of the way for folding. Before folding down the T-Top remove the quick release knob from the T-Top bracket and rotate out of the way for the T-Top to fold. It may be just as easy remove the other quick release knob and store the braces.