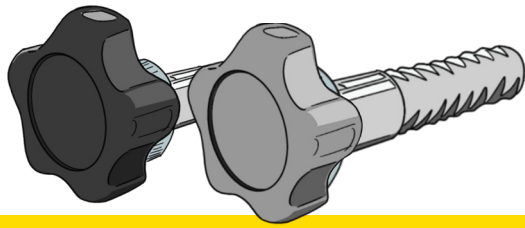




# Quick Release Knobs

for Pro Series T-Top



## INSTALLATION MANUAL

### Included Hardware Identification

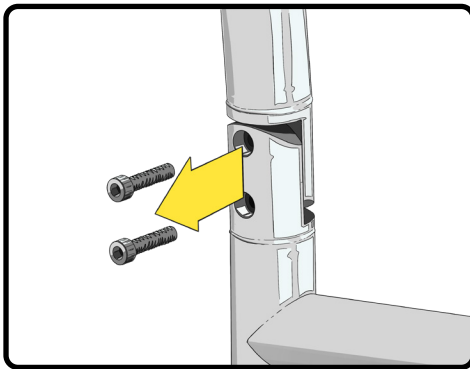
- (4) Grey Quick Release Knobs
- (4) Black Quick Release Knobs

### Gather Additional Tools and Materials

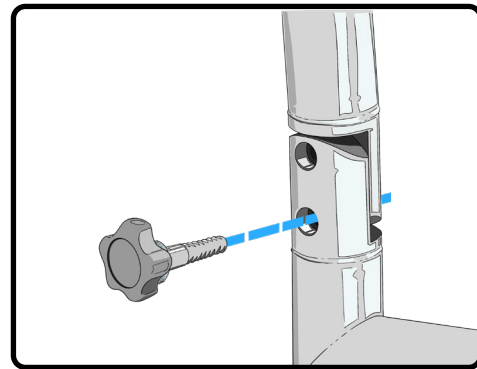
Allen Wrench Set

### Step 1: Adding Quick Release Knobs to Legs

1. Remove the M10 Bolts on each of the rear legs. Leave the hinge bolt.

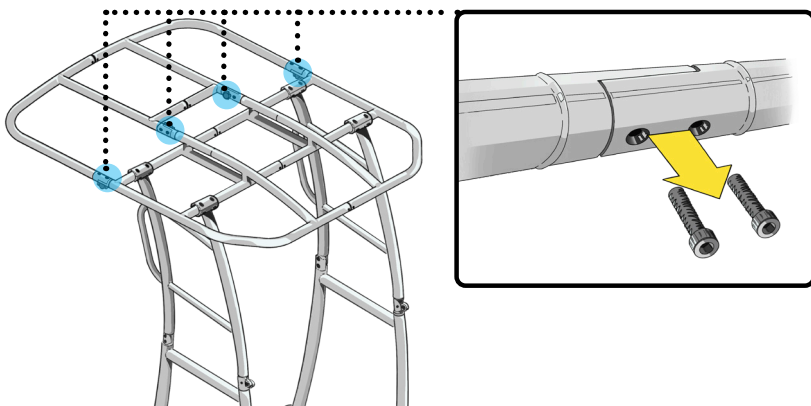


2. Screw in one Grey Quick Release Knob in the lower bolt hole on each leg.



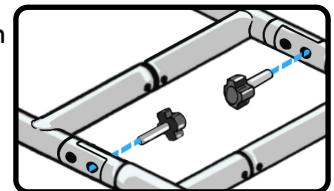
### Step 2: Adding Quick Release Knobs to Canopy Section

1. Remove the M10 Bolts on the upper canopy section from interior rails next to hinge section. These holes will remain open when using the Quick Release Knobs.

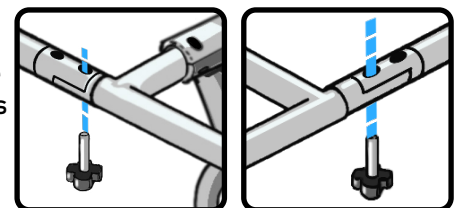


2. Replace with Black Quick Release Knobs. Repeat on each hinge section of tower. Place in front hole.

Mid Section



Both Outside Sections



Do you have questions? Call us @ 877.777.8693 Monday – Friday, 8am-5pm EST