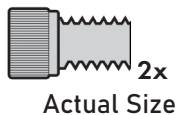
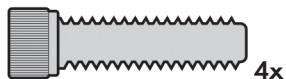


# Folding Antenna Mounting Plate

## INSTALLATION MANUAL

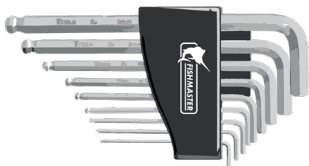
### Included Hardware Identification



We make dreams come true at Fishmaster. Now you can mount your folding antenna bracket to your Fishmaster T-Top with this structurally sound mounting plate. Compatible with most folding antenna mounts! Manufactured with marine grade aluminum. Plate measures 3" by 1-1/2" on center.

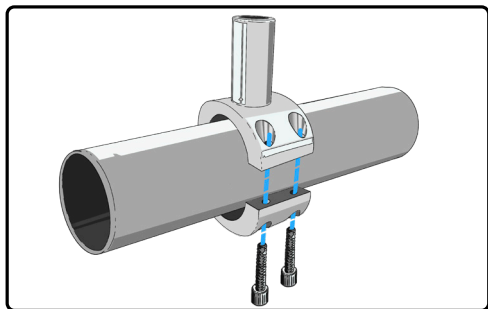
### Gather Additional Tools and Materials

#### Allen Wrench Set

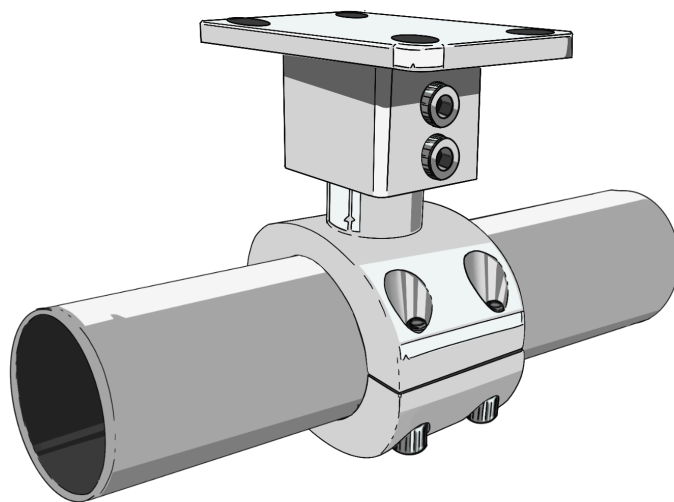
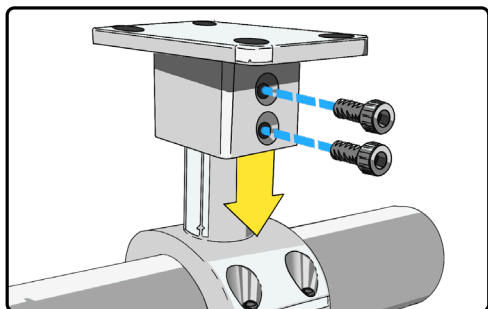


### Installing the Mount on T-Top Frame

1. Place on t-top in the desired location and then tighten down the M6 bolts.



2. Slide the mounting plate onto the post and then tighten down the bolts.



Do you have questions? Call us @ 877.777.8693 Monday – Friday, 8am-5pm EST