

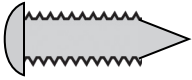


Hook and Rig Holder



INSTALLATION MANUAL

Included Hardware Identification



Actual Size 2x

Digging through a tackle box to find the right lure or rig is a thing of the past with a hook and rig holder. Add one to your boat today for easy rig swaps at a moment's notice.

Gather Additional Tools and Materials

Permanent Marker



5/32" Drill Bit



Screwdriver



Hand Drill

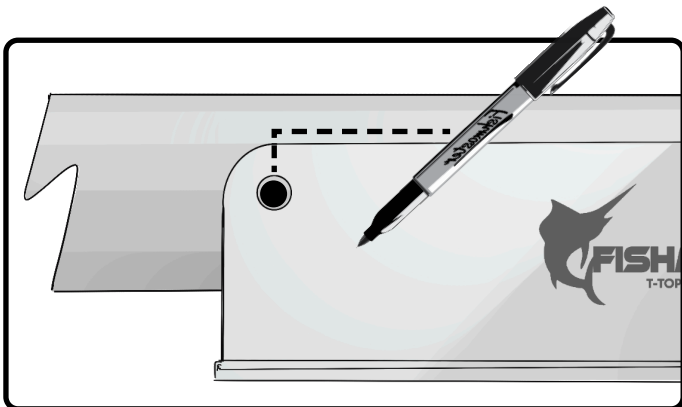


Do you have questions? Call us @ 877.777.8693 Monday – Friday, 8am-5pm EST

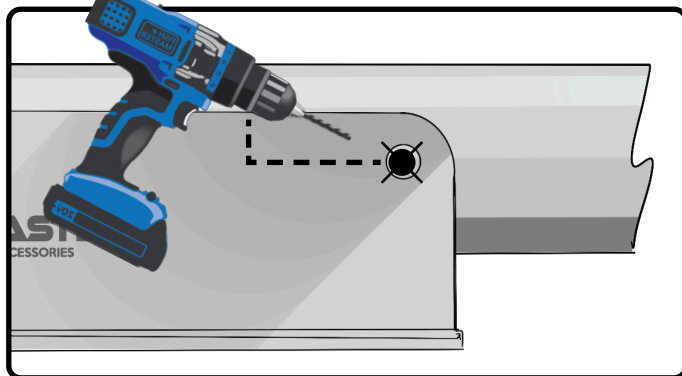
Step 1: Drill Holes For Accessory

Make sure bracket is centered, then use a

1. permanent marker to establish where you will drill the mounting holes.

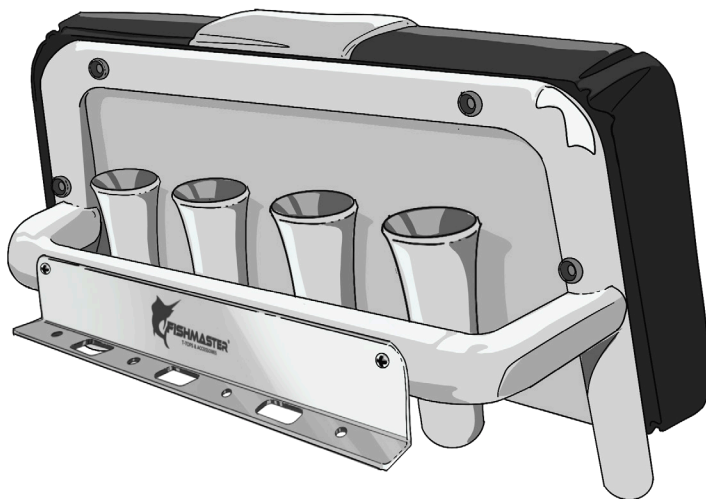
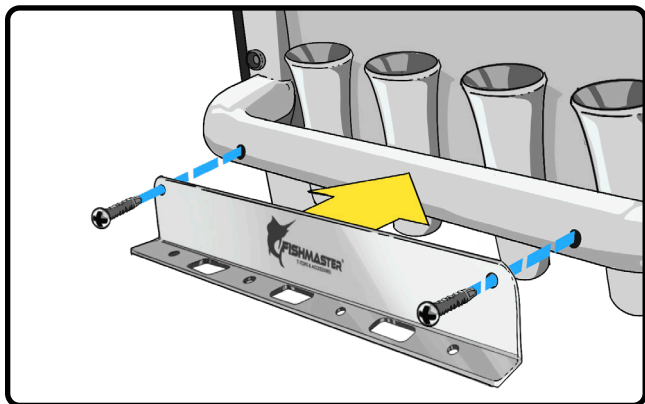


2. Drill out the holes from the mounting hardware.



Step 2: Mount Rig Holder Bracket

1. Mount the rigging bracket with the self-tapping screws.



Do you have questions? Call us @ 877.777.8693 Monday – Friday, 8am-5pm EST